

ROAX N-SERIES REVERSE OSMOSIS WATER SYSTEMS

N1-2000 • N2-4000 • N3-6000 • N4-8000 • N6-12000

The ROAX N-Series combines rugged construction and high-volume output within a very small vertical footprint. Proprietary controller technology allows for easy start-up, automated maintenance notifications and service diagnostics.

The ROAX N-Series is part of the Kinetico Commercial Reverse Osmosis portfolio of products.

- **Advanced System Control.** Integrated system controller monitors pressure, TDS and maintenance schedules. Includes diagnostics and USB data connectivity.
- **Advanced Filtration.** Delivers high quality pure water to your application by removing total dissolved solids (TDS).
- **Capacity Range.** 2,000 to 12,000 gallons per day of high quality water.
- **Efficient Water Production.** Designed to maximize water conservation.
- **Pump and Motor.** Stainless steel pump and TEFC motor sized to meet long term, maximum system demand.
- **Space-Saving Design.** Requires minimal floor space.
- **Flowmeters.** System includes permeate, brine and recirculation flowmeters to monitor water usage.
- **System Flush Mode.** Controller flushes system with pre-filtered water at shutdown and startup to improve TDS meter accuracy.
- **Optional Accessories:**
 - **Carbon Filtration** provides chlorine removal for extended membrane life and improved product water quality.
 - **Filtration** improves feed water quality by removing excessive suspended solids.
 - **Softening** increases reverse osmosis performance by eliminating hardness fouling, extending membrane life and improving water quality.
 - **Storage and Repressurization** systems provide a constant supply and pressure of high quality water to meet fluctuating demand.
 - **Skid Mount** The ROAX N-Series may be skid mounted with softening, filtration and product water storage included.



Over 40 Years
Experience



Advanced System
Control



Advanced Filtration



Capacity Range



Efficient Water
Production



Quiet Operation



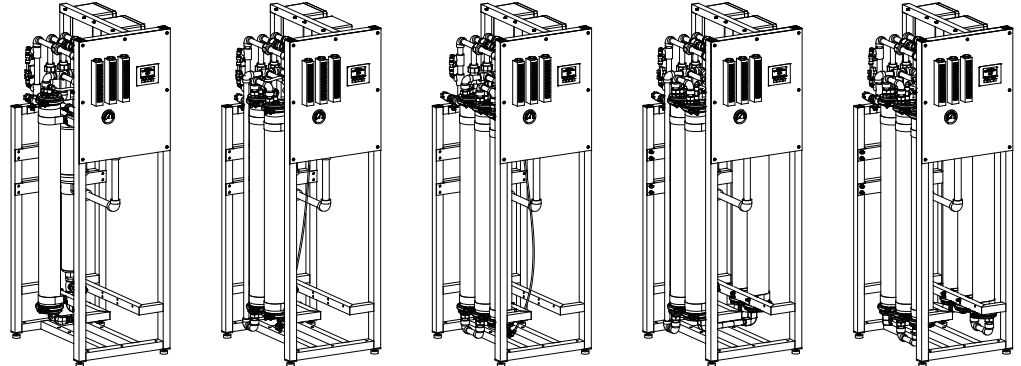
Space-Saving
Design



Optional
Accessories

ROAX N-SERIES REVERSE OSMOSIS WATER SYSTEMS

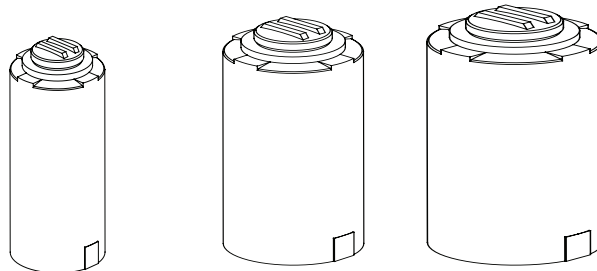
N1-2000 • N2-4000 • N3-6000 • N4-8000 • N6-12000



Specifications	N1-2000	N2-4000	N3-6000	N4-8000	N6-12000
Part Number	16930	16931	16932	16933/16934	16935/16936
System Size (w x d x h) in	20 x 28 x 62	20 x 28 x 62	20 x 28 x 62	20 x 28 x 62	20 x 28 x 62
System Size (w x d x h) cm	51 x 56 x 137	51 x 56 x 137	51 x 56 x 137	51 x 56 x 137	51 x 56 x 137
Membrane Type	TF Low Energy	TF Low Energy	TF Low Energy	TF Low Energy	TF Low Energy
Filtered Water System Flush	Standard	Standard	Standard	Standard	Standard
Power (Voltage @ 50 hz)	1 x 220-230	1 x 220-230	1 x 220-230	3 x 190/380-415	3 x 190/380-415
Power (Voltage @ 60 hz)	1 x 208-230	1 x 208-230	1 x 208-230	3 x 208-460	3 x 208-460
Inlet Pressure (psi/bar)	30 - 100 / 2.1 - 6.9	30 - 100 / 2.1 - 6.9	30 - 100 / 2.1 - 6.9	30 - 100 / 2.1 - 6.9	30 - 100 / 2.1 - 6.9
Operating Temperature (°F/°C)	36 - 100 / 2.2 - 37.8	36 - 100 / 2.2 - 37.8	36 - 100 / 2.2 - 37.8	36 - 100 / 2.2 - 37.8	36 - 100 / 2.2 - 37.8
Permeate Flow Rate (gpm/Lpm)*	1.39/5.26	2.78/10.52	4.17/15.79	5.56/21.05	8.33/31.53
Maximum Efficiency Rate	70%	80%	80%	80%	80%
Rejection Rate - NaCl	96%	96%	96%	96%	96%
Daily Production (gpd/Lpd)*	2,000 / 7,572	4,000 / 15,144	6,000 / 22,717	8,000 / 30,289	12,000 / 45,425
TDS (Max) as NaCl mg/L	2,500	2,500	2,500	2,500	2,500

* Based on 77°F (25°C), 500 ppm TDS softened feed, permeate to atmospheric tank, 50 psi (3.45 bar) inlet pressure at 60 Hz.

Storage Tank Options



Tank Description	300 gallon	550 gallon	1000 gallon
Tank Height	80"	83"	84"
Tank Footprint	35" DIA	48" DIA	64" DIA
Material	HDPE	HDPE	HDPE